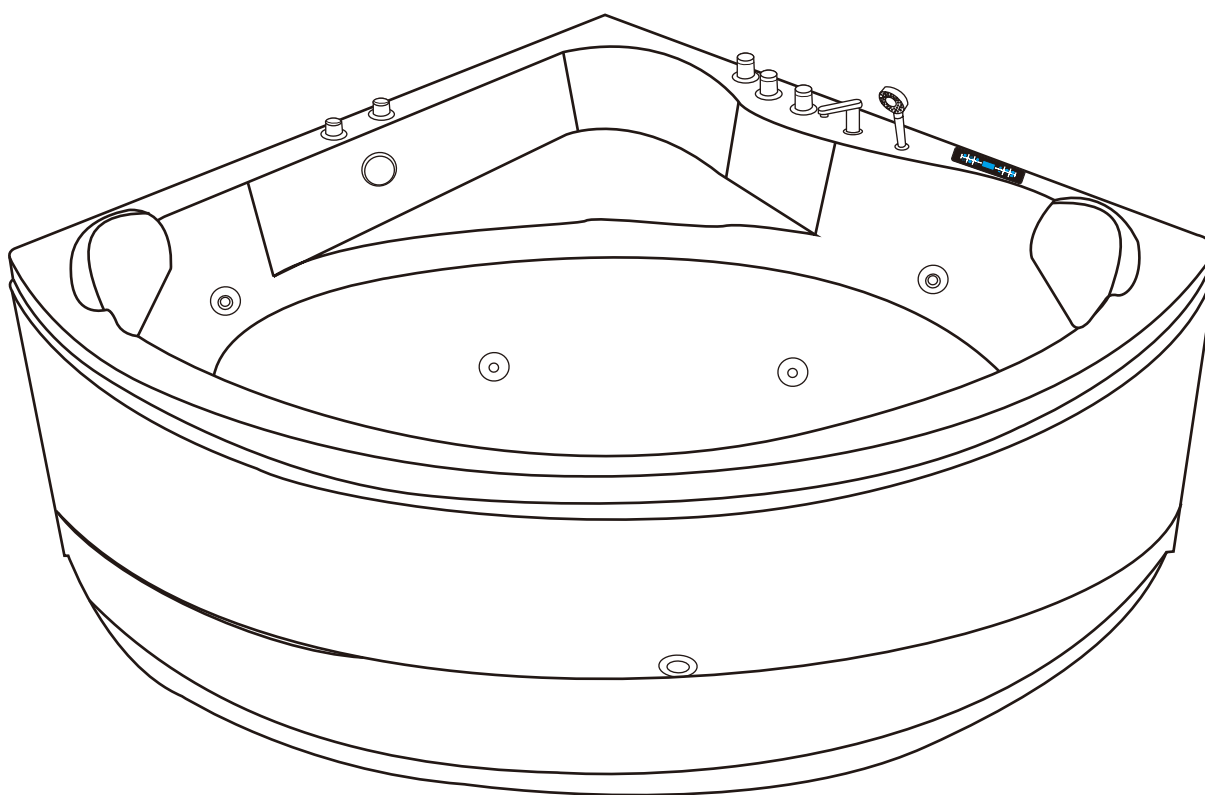




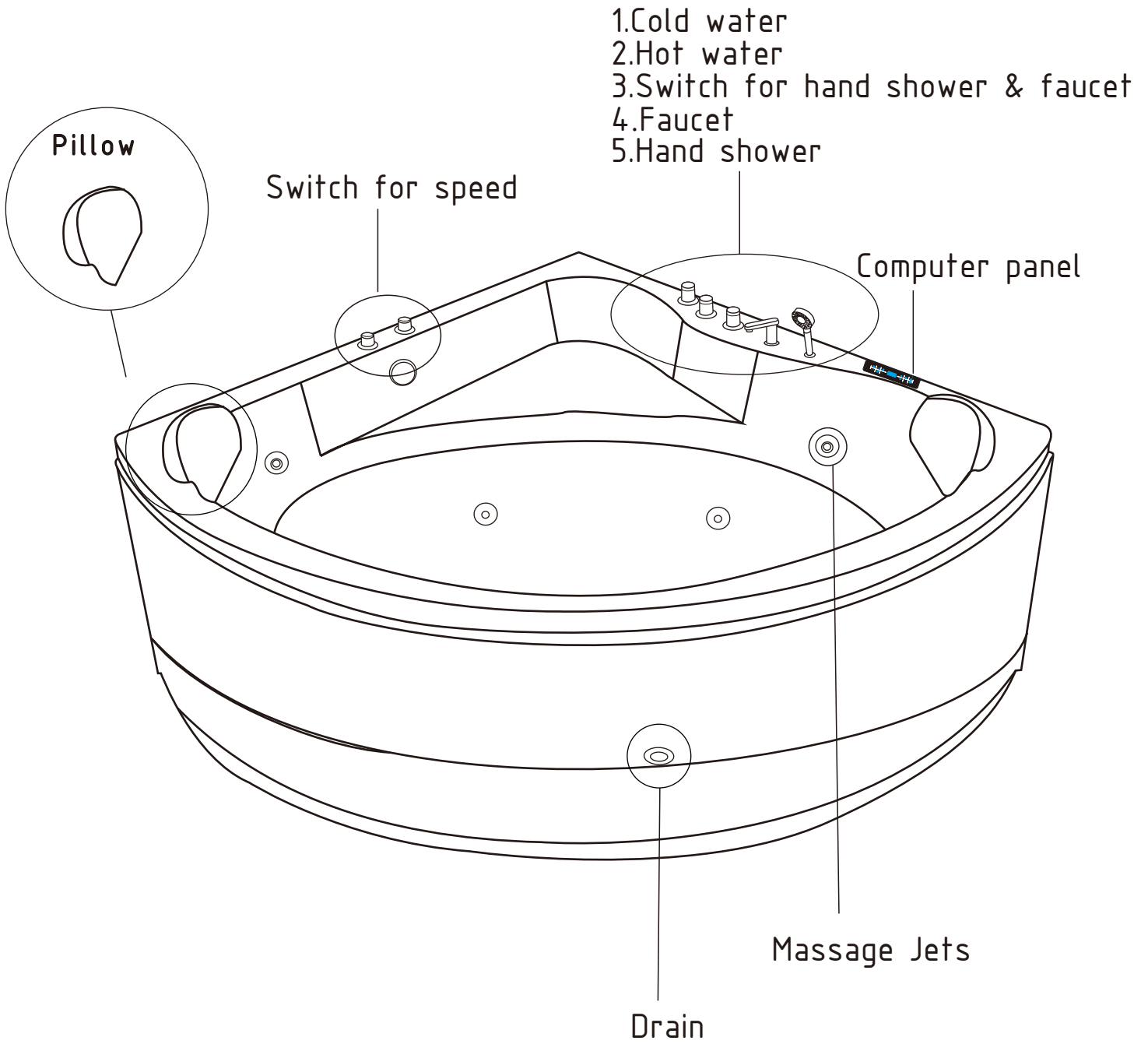
Luxury Massage Bathtub



MILOS

1500 × 1500 × 600mm

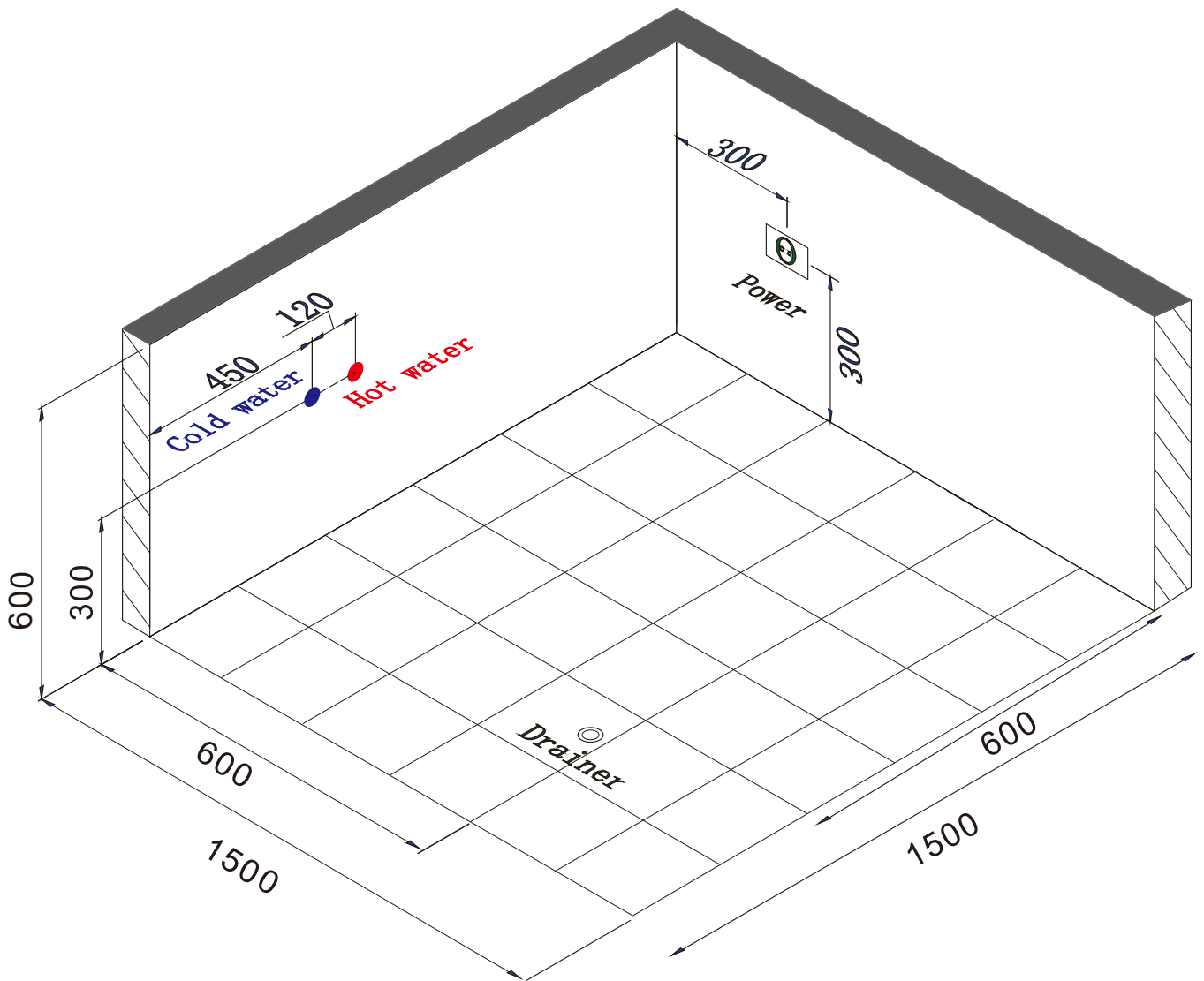
Functional Introduction



Water & Electricity

Position Design

Length unit: mm



Power Request

DXD PUMP

MODEL DXD-315 E AC 220-240V 50Hz 1125W CLASS F IPX5
 MAX WATER TEMPERATURE 50°C 15u F/450V Hmin 1m

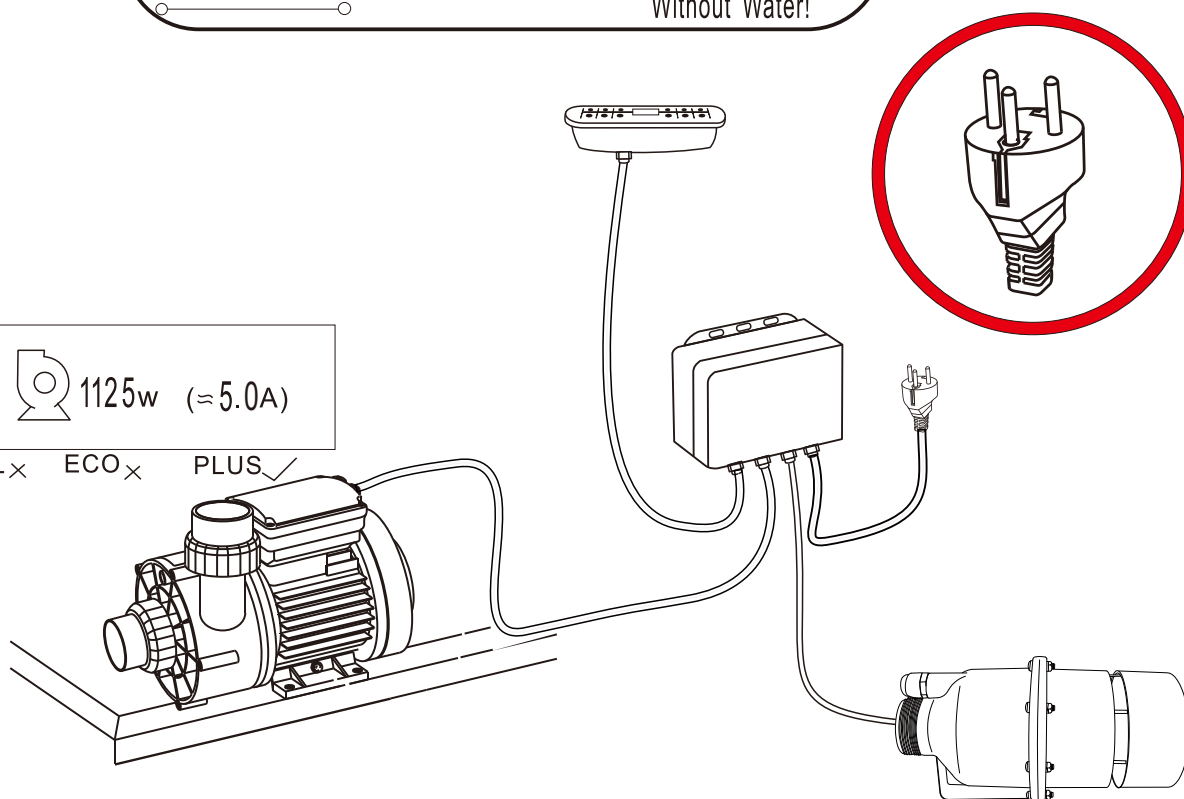
BLUE BROWN YE/GREEN WHITE THERMAL PROTECTOR

TUV SÜD CE

Ground properly!
 Do Not Start Pump
 Without Water!

+ 1125w (≈5.0A)

VITAL x ECO x PLUS ✓



DXD AIR PUMP

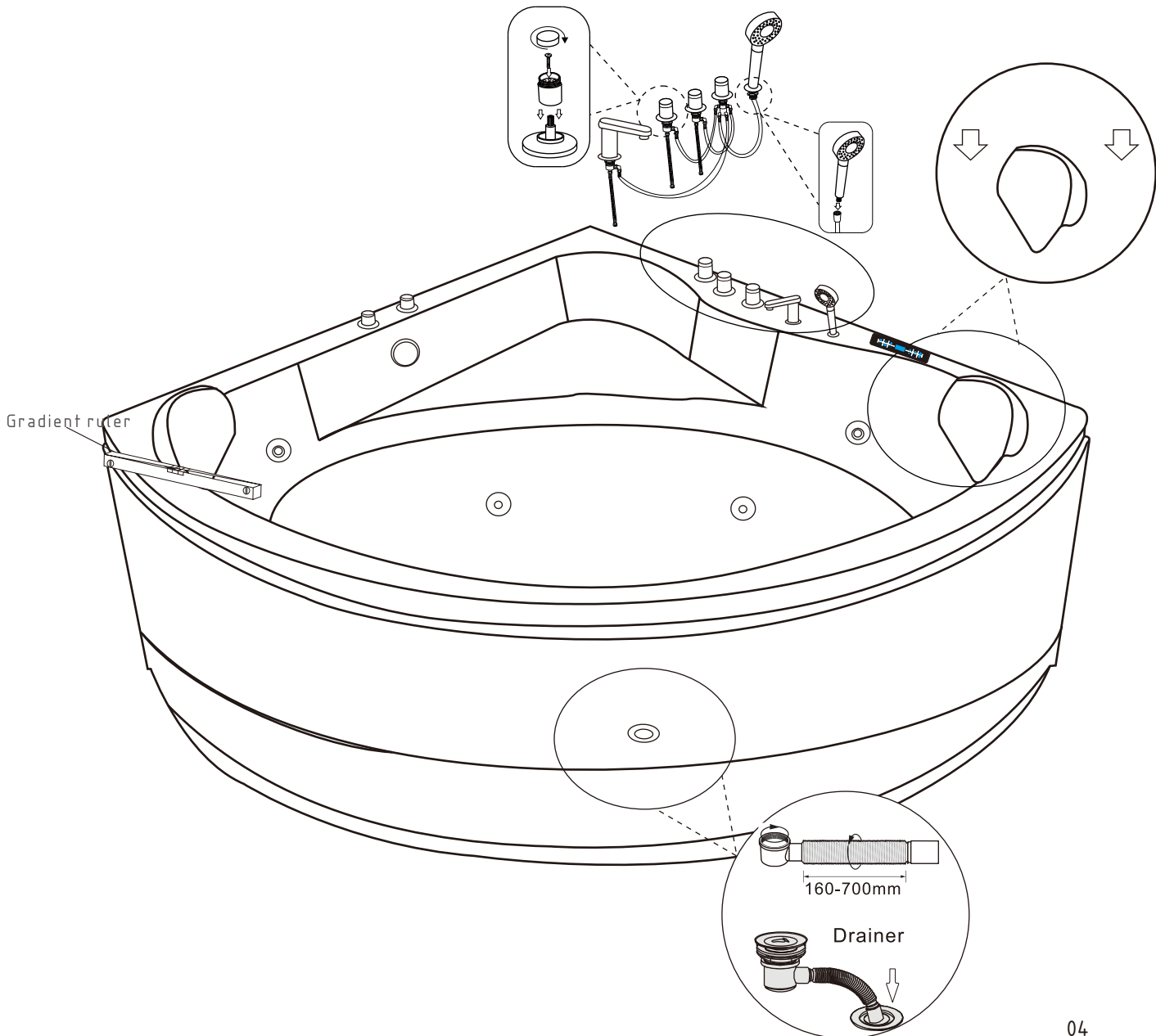
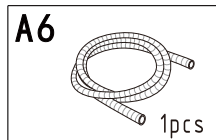
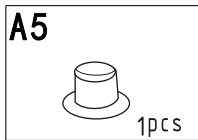
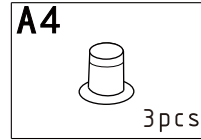
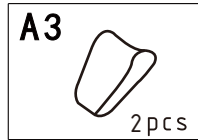
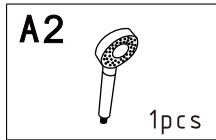
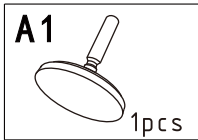
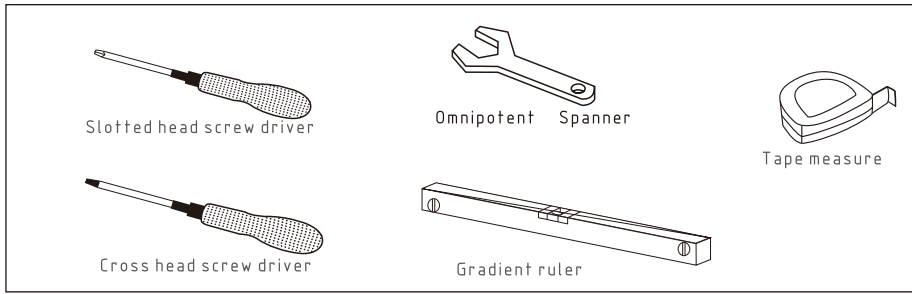
MODEL DXD- 6E- 350 220-240V 50HZ/60HZ 350W
 S1 CLASS 155(F)
 IP X5

BAR CODE:

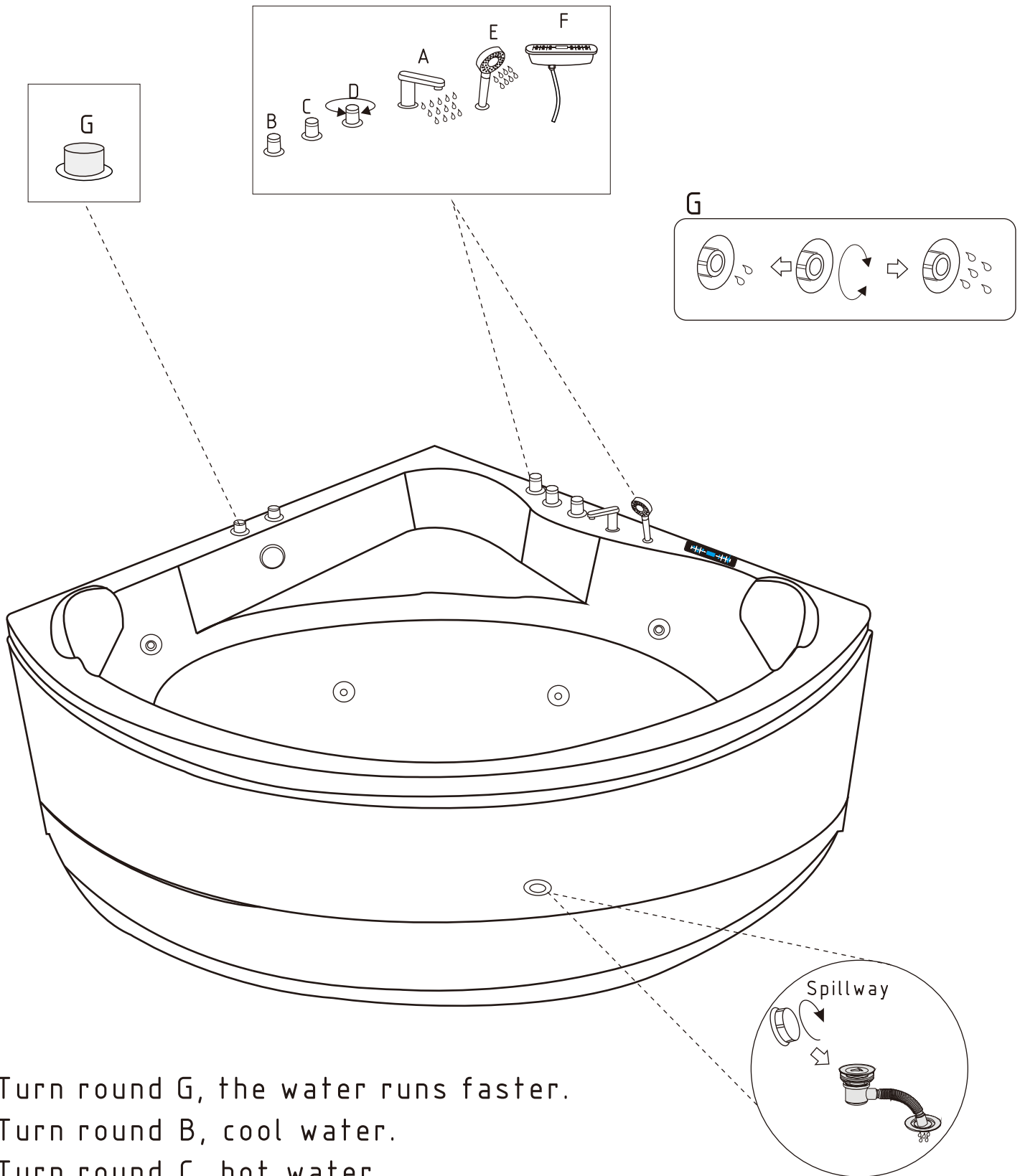
TUV SÜD CE

Accessories

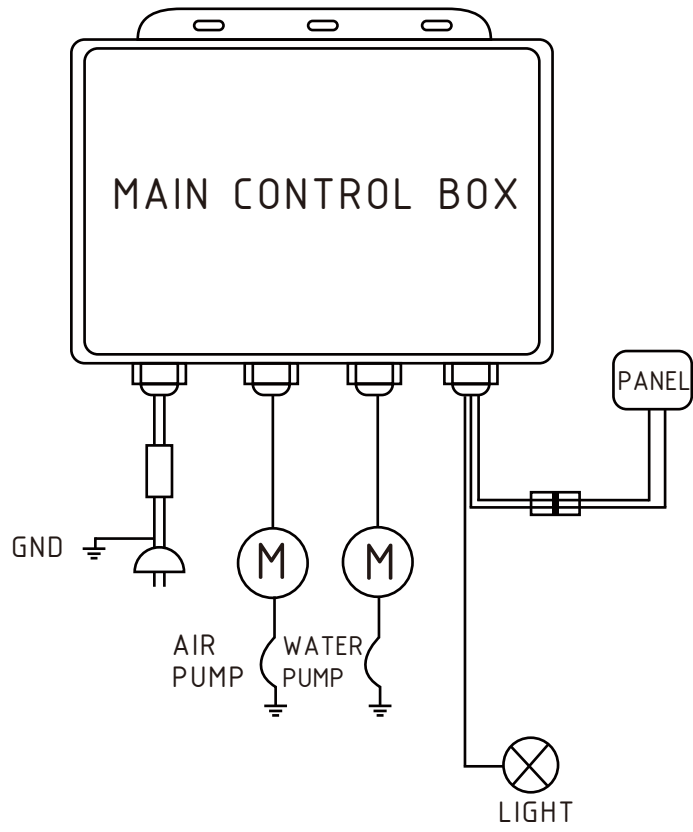
Installation



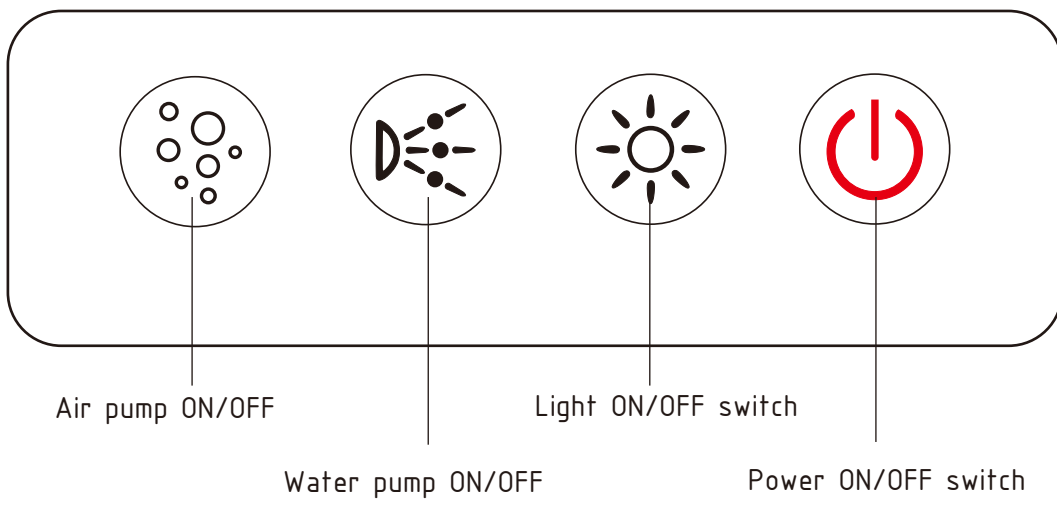
Functional Instructions



Turn round G, the water runs faster.
Turn round B, cool water.
Turn round C, hot water.
Turn round D, water comes from A or E.



Schematic diagram of the panel



Operation instruction and direction



Push down the switch, the controller is open, its status light is on, and other functions can be used only when power is ON.



Push down the button,the Water pump is on;
repeat theoperation,it is off.



Push down the button,the Air pump is on;
repeat theoperation,it is off.



Push down the button,the Light is on ;
repeat the operation,it isoff.

Notice:their status lights are on when you press the buttononce,and
their lights are off when the functions stop running.When there is
no enough water,please don't open the function ofwater pump.

Run Environment

① POWER:AC220V ② pump/WIND PUMP: AC220V ③ LIGHT:AC12V

Notes of user

- ① Please read the instruction carefully when install the product,
so that you can do it effectively in time.
- ② User should pay attention to the high-voltage on products marked
signs,Not to touch their locations, ensure personal safety;
- ③ Don't expose the controller to the moist or high temperature
environment to prevent fire or electric shock.
Please towel thecontroller after using it.
- ④ Please keep water clean,no solid debris left.Otherwise,it
will jam the backwater and the pipeline,resulting in damagingthe
equipment or fittings.If jam happened, please turn off thepower
to clean stems immediately,then restart it.
- ⑤ Please do not pull any of the output lines, not beat or throw
the equipment at random,Otherwise crusts or inner parts will
be broken.

- ⑥ Don't open the cover of the controller for there are dangerous parts in allowed for maintenance it. Only qualified servicemen are allowed for maintenance.
- ⑦ The used power supply must be in line with the specified voltage value shown on the controller otherwise it is not allowed to be used even burns out the controller.
- ⑧ The intervals of continuous power on and off must be over 30s for extending the use life of the controller.
- ⑨ Please do not plug or pull the control panel with electricity, otherwise the devices will be damaged or unusual conditions will appear. At the moment, turn off the power in seconds, restart it.
- ⑩ Please insert fittings (such as: light, speaker, valve, ozone sterilization, water pump, wind pump, steam generator, etc.) into corresponding output ports of equipment correctly, otherwise they will be damaged in order to cause danger.

Solutions of basic problems

① Q: Why does not water pump run?

A: Firstly, please check whether there is a equipment with water level, if so, please check whether the water sensor contact with water is good, if not, please stop using it, then you can contact with my company staff.

① Q: Press lights, ozone, speakers, fan, air-conditioning and other functions, but why don't they start to run?

A: First, check whether the plug-in terminals contacts with each other well; if lights and ozone sterilization still fails to run, please turn on the fuse and ensure if it has blew out, which cutoff the whole system and stop running.